

For information on glass preparation,
please contact the Architectural
Ironmongery department

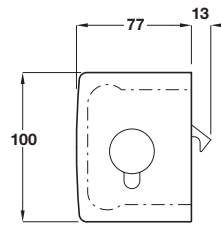
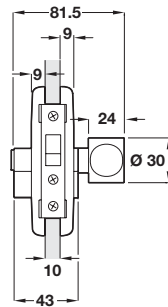
Item A.
Text removed 'Fixing materials included'
Please note fixing materials are NOT included

A 'Minima' sliding door lock

- To suit all sliding doors
- Cylinder and turn included
- For 8-10 mm toughened glass
- Brass

Finish	Cat. No.
Satin chrome plated	940.78.104
Satin nickel plated	940.78.106

Order qty: 1 pc



For flush pull handles, please see items A
and B in Section 4 page 80

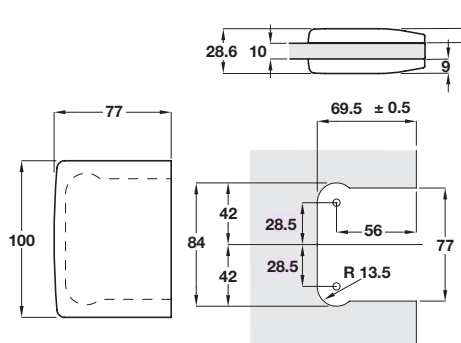
Item B.
Text removed 'Fixings included'
Please note fixings are NOT included

B 'Minima' strike box

- To suit all sliding door locks
- For 8-10 mm toughened glass
- Brass

Finish	Cat. No.
Satin chrome plated	940.78.114
Satin nickel plated	940.78.116

Order qty: 1 pc



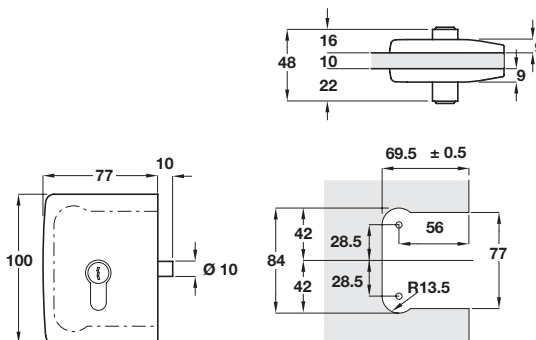
Item C.
Text removed 'Fixings included'
Please note fixings are NOT included

C 'Minima' deadlock

- To suit all sliding door locks
- For 8-10 mm toughened glass
- For cylinders see pages 45 and 46
- For strike plates see page 46
- Brass

Finish	Cat. No.
Satin chrome plated	981.14.074
Satin nickel plated	981.14.076

Order qty: 1 pc



Item D.
Text removed 'Fixings included'
Please note fixings are NOT included

D 'Minima' deadlock strike box

- To suit all sliding door locks
- For 10 mm toughened glass
- Brass

Finish	Cat. No.
Satin chrome plated	981.14.084
Satin nickel plated	981.14.086

Order qty: 1 pc

