

Glass Fittings 'Reina' and 'Compact' Locks



For information on glass preparation, please contact the Architectural Ironmongery department

Items A & B.
Catalogue shows 85 mm
Correct dimension is 95 mm

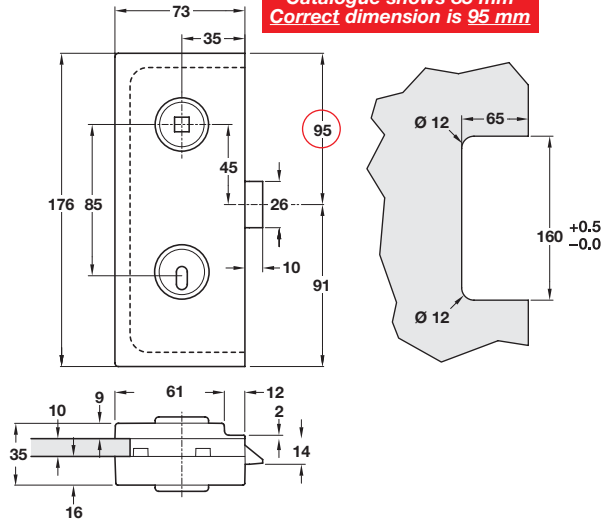
Item A.
Text removed 'Fixings included'
Please note fixings are NOT included

A 'Reina' V-750 WC vertical lock

- Vertical lock reversible with W.C. latch
- For 8-12 mm toughened glass
- Flat strike included
- Brass
- Handles to be ordered separately - select from StarTec range, see Section 1

Finish	Cat. No.
Satin chrome plated	981.14.174
Satin nickel plated	981.14.176

Order qty: 1 pc



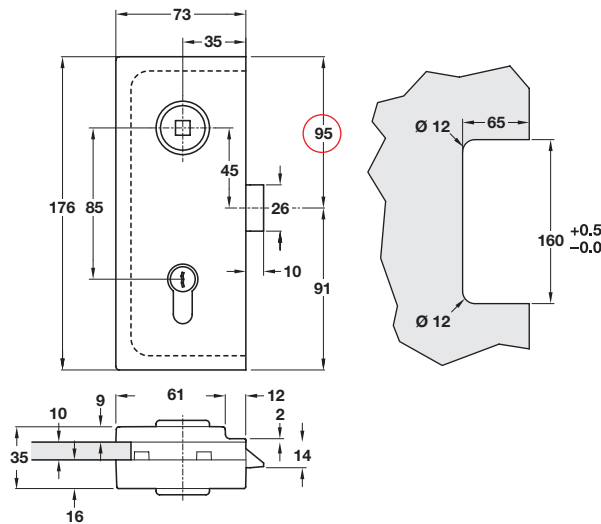
Item B.
Text removed 'Fixing materials included'
Please note fixing materials are NOT included

B 'Reina' V-750 PZ Vertical lock with cylinder hole

- Vertical lock with cylinder hole
- For 8-12 mm toughened glass
- Flat strike included
- Brass
- Handles to be ordered separately - select from StarTec range, see Section 1
- Cylinder to be ordered separately, see page 45

Handed	Left	Right
Satin chrome plated	981.14.184	981.14.194
Satin nickel plated	981.14.186	981.14.196

Order qty: 1 pc



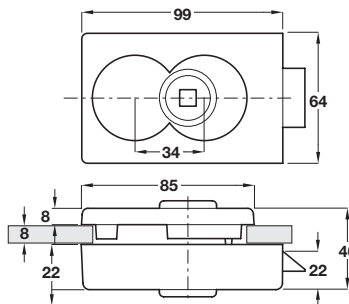
Item C.
Text removed 'Fixing materials included'
Please note fixing materials are NOT included

C 'Compact' lock square

- For 8-10 mm toughened glass
- Brass
- Handles to be ordered separately - select from StarTec range, see Section 1

Finish	Cat. No.
Satin chrome plated	981.14.104
Satin nickel plated	981.14.106

Order qty: 1 pc



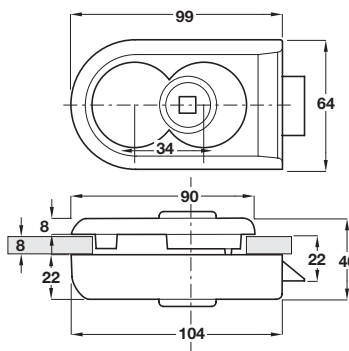
Item D.
Text removed 'Fixing materials included'
Please note fixing materials are NOT included

D 'Compact' lock round

- For 8-10 mm toughened glass
- Brass
- Handles to be ordered separately - select from StarTec range, see Section 1

Finish	Cat. No.
Satin chrome plated	981.14.114
Satin nickel plated	981.14.116

Order qty: 1 pc



09.12.08/2*

