

For information on glass preparation,  
please contact the Architectural  
Ironmongery department

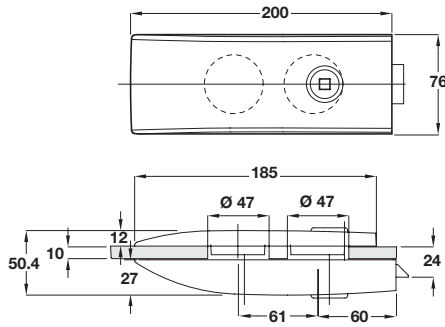
**Item A.**  
Text removed 'Fixings included'  
Please note fixings are NOT included

**A** 'Ferrari' latch

- For 8-12 mm toughened glass
- Brass
- Handles to be ordered separately - select from StarTec range, see Section 1

Finish	Cat. No.
Satin chrome plated	981.14.004
Satin nickel plated	981.14.006

Order qty: 1 pc



Satin chrome shown



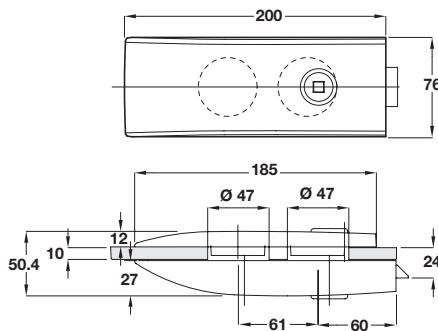
**Item B.**  
Text removed 'Fixings included'  
Please note fixings are NOT included

**B** 'Ferrari' latch with privacy snib

- For 8-12 mm toughened glass
- Brass
- Handles to be ordered separately - select from StarTec range, see Section 1

Finish	Cat. No.
Satin chrome plated	981.14.014
Satin nickel plated	981.14.016

Order qty: 1 pc



Satin nickel shown



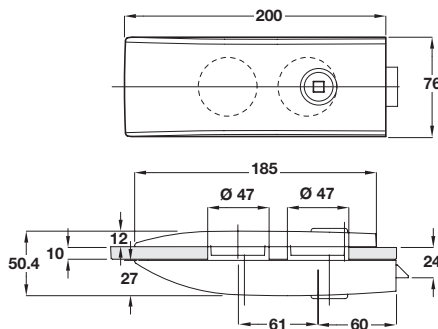
**Item C.**  
Text removed 'Fixings included'  
Please note fixings are NOT included

**C** 'Ferrari' latch euro profile

- For 8-12 mm toughened glass
- Brass
- Handles to be ordered separately - select from StarTec range, see Section 1
- Cylinder to ordered separately, see page 45

Finish	Cat. No.
Satin chrome plated	981.14.024
Satin nickel plated	981.14.026

Order qty: 1 pc



Satin chrome shown



9

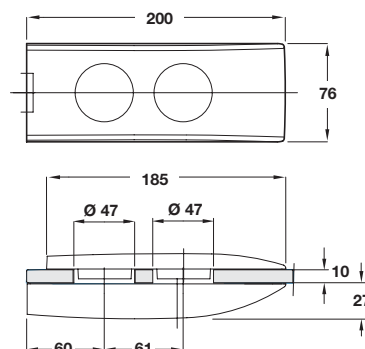
**Item D.**  
Text removed 'Fixings included'  
Please note fixings are NOT included

**D** 'Ferrari' strike box

- For 8-12 mm toughened glass
- Brass
- For use with items A, B and C shown above

Finish	Cat. No.
Satin chrome plated	981.14.034
Satin nickel plated	981.14.036

Order qty: 1 pc



Satin nickel shown



09.12.08/1\*