

A Low profile metal vision frame

- Flush to door look
- Uses 44 mm sheet metal screws that pass through the door cut-out, and fasten to the opposite side of the vision frame, thus eliminating the need to drill the door for through bolts and saving installation time and labour. It also leaves the corridor side of the frame free of fastenings, for added security and a cleaner, more aesthetic appearance
- To suit door thickness **42-46 mm**
- Fire tested to 1 hour timber door, in conjunction with intumescent tapes and liners, shown on page **182**
- Fits 6 and 6.4 mm glass
- Glass to suit must be ordered separately, item **B**
- Fixings included
- Glazing tape and liners available, shown on page **182**
- Brushed stainless steel, grade 304

Standard square

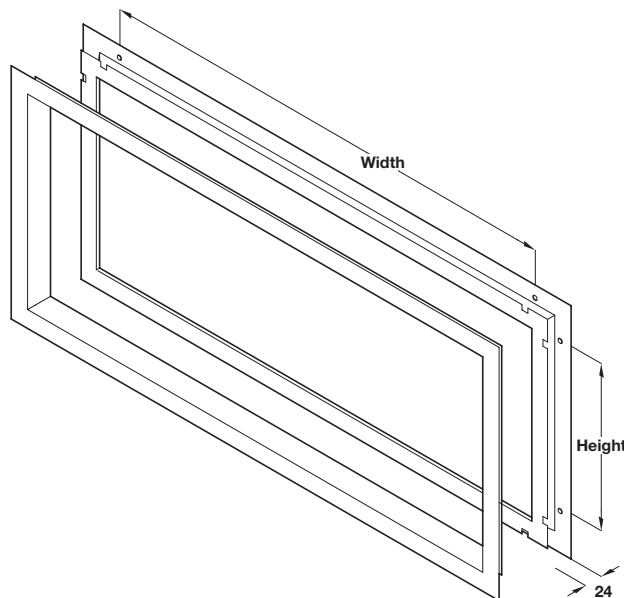
Cut out size	305 x 305 mm	457 x 457 mm
Clear vision size	254 x 254 mm	406 x 406 mm
Cat. No.	959.17.000	959.17.010

Order qty: 1 pc

Standard rectangular

Cut out size	178 x 559 mm	178 x 762 mm
Clear vision size	127 x 508 mm	127 x 711 mm
Cat. No.	959.17.060	959.17.070

Order qty: 1 pc



B Glass

- To suit square metal vision frame **A**
- Available for fire and non-fire rated doors
- 2 hour fire resistant 6 mm thick clear glass also available to order, subject to quantity

Glass type	Glass thickness	280 x 280 mm	432 x 432 mm	153 x 534 mm	153 x 737 mm
Laminated clear safety (non-fire rated)	6.4 mm	959.17.300	959.17.310	959.17.350	959.17.360
Clear GWP safety (1/2 x 1hr fire rated)	6 mm	959.17.302	959.17.312	959.17.352	959.17.362
Clear fire resistant (1/2 x 1hr fire rated)	6 mm	959.17.303	959.17.313	959.17.353	959.17.363

Order qty: 1 pc