

Brass Butt Hinges Special Purpose

Regular lubrication required, unless marked 'maintenance free'.

Important: The logo shown indicates the type and size of screw required, which must be ordered separately



Clockwise closing =

Anti-clockwise closing =

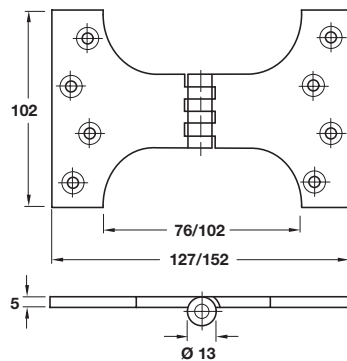


A Parliament hinge

- Suitable for lightweight applications only
- Because of the short hinge knuckle this hinge can not sustain excessive loads or extra wide doors. If in doubt please consider extra wide projection hinges shown on page 35.
- Brass pin
- Fixing screws included
- Extruded brass

Length x width	102 x 127 mm	
Finish	Cat. No.	
Polished brass	921.08.590	
Satin chrome	921.08.594	
Length x width	102 x 152 mm	
Finish	Cat. No.	
Polished brass	921.08.610	
Satin chrome	921.08.614	

Order qty: 1 pc



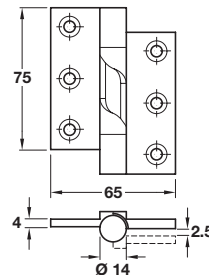
Satin chrome finish shown
102 x 152 mm version

B Brass rising butt hinge

- Not suitable for fire door applications
- Handed - specify clockwise or anti-clockwise closing
- Maximum adjusted door weight **45 kg**
- Hinge rises 6 mm at 90°
- Door closes on release
- Fixing screws included
- Galvanised steel pin and galvanised plated cam
- Brass
- Note: Only 2 hinges per door leaf are required

Length x width	75 x 65 mm	
Finish	Polished brass	Satin chrome
Clockwise closing	926.26.580	926.26.541
Anti-clockwise cl.	926.26.480	926.26.441

Order qty: 1 pc



Anti-clockwise closing



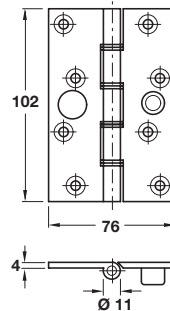
Polished brass finish shown
Anti-clockwise closing

C Brass DPBW security butt hinge

- Maximum adjusted door weight **60 kg**
- Suitable for outward opening external doors
- Rotating steel dog bolt
- Double phosphor bronze washers and brass pin
- In the event of attempted illicit entry, by removing the pin or cutting off the exposed knuckle, the engaged dog bolt will prevent the door's removal
- Brass

Length x width	102 x 76 mm	
Self colour	921.08.560	

Order qty: 1 pc

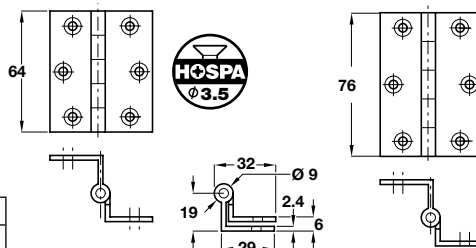


D Brass stormproof hinge

- Brass pin
- Brass

Length	64 mm	76 mm
Self colour	321.61.010	321.61.020

Order qty: 1 pc



Hinge wood screws

Hospa chipboard screws countersunk head, Ø 3.5 x 12 mm with cross-slots. Brass.



Finish	Cat. No.
Self colour	014.32.011

Order qty: Multiples of 200 pcs

Hinge wood screws

Hospa chipboard screws countersunk head, Ø 4.0 x 20 mm with cross-slots. Brass.



Finish	Cat. No.
Self colour	014.32.022
Polished brass	014.32.822
Polished chrome	014.32.222
Satin chrome	014.32.422
Bronze	014.32.122

Order qty: Multiples of 200 pcs

Hinge wood screws

Hospa chipboard screws countersunk head, Ø 5.0 x 30 mm with cross-slots. Brass.



Finish	Cat. No.
Self colour	014.32.041
Polished brass	014.32.841
Polished chrome	014.32.241
Satin chrome	014.32.441
Bronze	014.32.141

Order qty: Multiples of 200 pcs