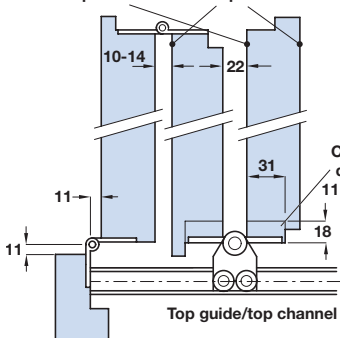
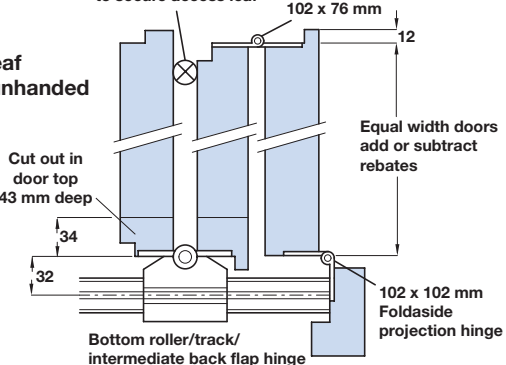


Normal position of flush handle and flush bolt on the external panel face at the top and bottom respectively



Position of cabin hook to secure access leaf

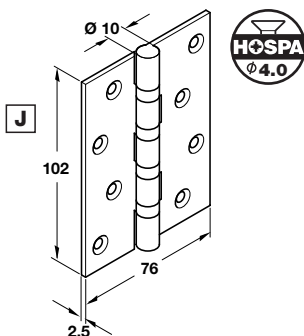


J Foldaside hinge, 102 x 76 mm

For panel to panel joints. Thrust bearing washers to each joint. Satin or polished stainless steel or electrophoretic brass-plated

BS EN 1935 grade 13	Cat. No.
Satin stainless steel	921.08.140
Polished stainless steel	926.91.041
Brass-plated	921.08.159

Order qty: 1 pc

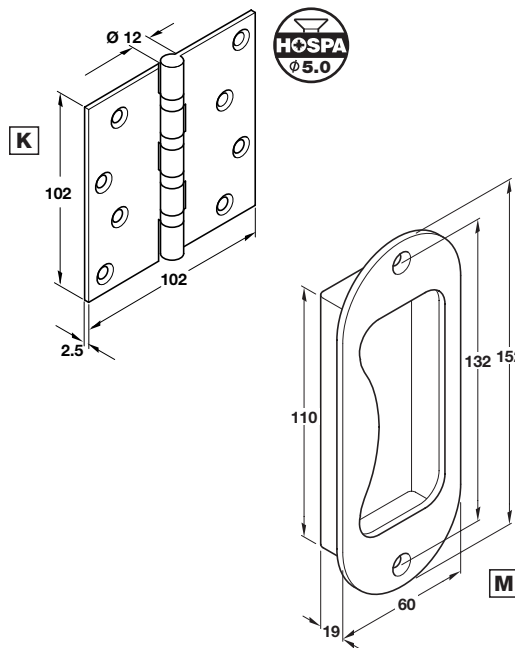


K Foldaside projection hinge, 102 x 102 mm

For frame to panel joints. Thrust bearing washers to each joint. Satin stainless steel or electrophoretic brass-plated

BS EN 1935 grade 13	Cat. No.
Satin	921.08.168
Brass-plated	926.91.018

Order qty: 1 pc

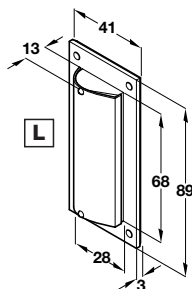


L Flush handle

Fixing screws included. Brass

Finish	Cat. No.
Polished brass	910.37.035
Satin nickel plated	910.37.044

Order qty: 1 pc



M Flush handle

Normally used where door thickness is 50 mm or more. Fixing screws included. Stainless steel

Finish	Cat. No.
Satin	902.04.320
Polished	902.04.321

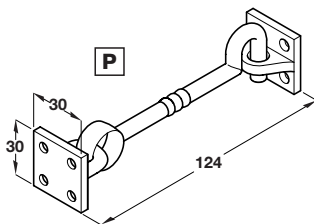
Order qty: 1 pc

N Lever action flush bolt

For folding doors. For door thickness 45 mm+. Zinc die cast mazak alloy

Finish	Cat. No.
Pol. brass, lacquered	900.17.815
Satin nickel-plated	900.17.806

Order qty: 1 pc

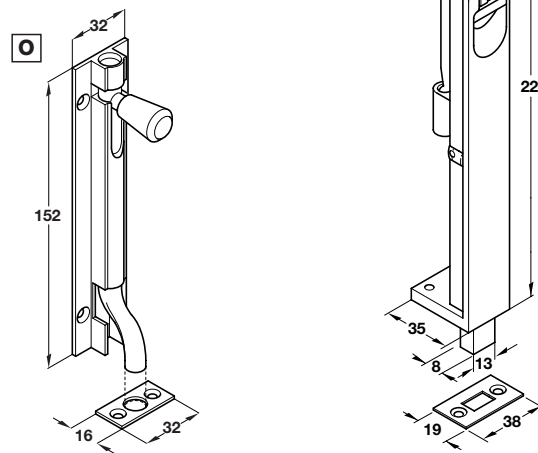


O Necked barrel bolt, 152 x 32 mm

Striking-plate and fixing screws included. Brass

Length x width	152 x 32 mm
Finish	Cat. No.
Polished brass	900.17.942
Satin nickel plated	900.17.943

Order qty: 1 pc



P Cabin hook

To secure access leaf. Fixing screws included. Brass

Finish	Cat. No.
Polished brass	900.17.955
Satin nickel-plated	900.17.956

Order qty: 1 pc

For suggested weather seals see page 145