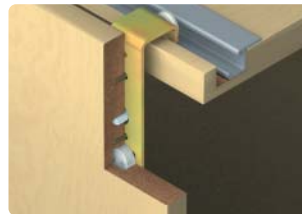


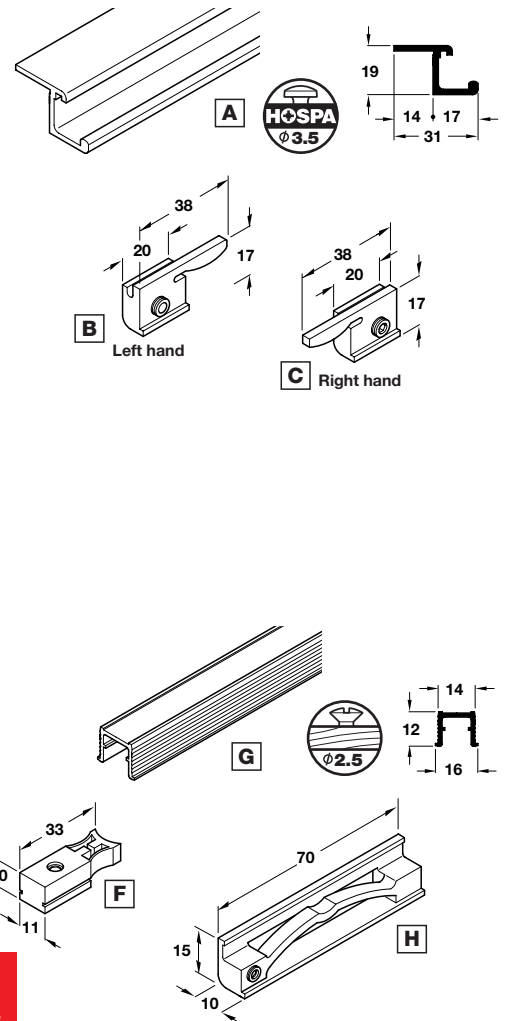
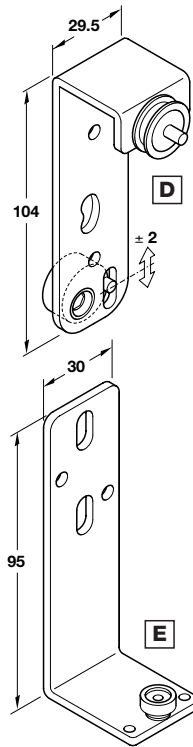
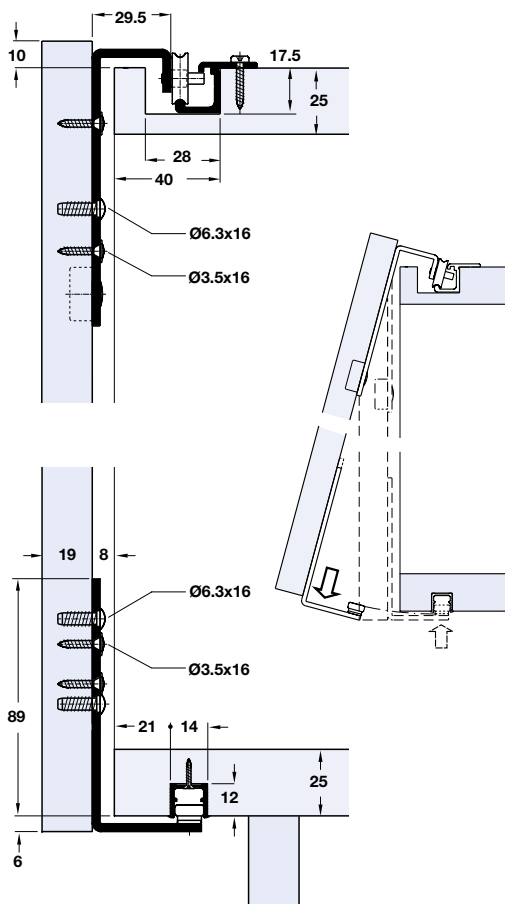
Fittings for Straight Sliding Timber Cabinet Doors

EKU Regal-A 25 Door Fittings

- **Application:** High quality residential furniture where either decorative or functional overlay sliding panels are required to move across the face of units
- **Range:** Max. door panel weight **25 kg**
For door thickness **19-25 mm**
Max. door height normally **2400 mm**
Max. door width normally **1000 mm**
- All sliding door gear components concealed including tracks. Simple to install. Height adjustment ± 2 mm on running gear
- **Note:** If cabinet board thickness is 19 mm, glue bottom guide rail into position
- Centre door stop (optional) allows panel to be held in a central position as well as at either side if the track running length is sufficient
- Top track and bottom guide rail must be ordered separately



Top track screw fixing, concealed
Bottom track groove mounted under cabinet
With screw fixing running gear



Catalogue shows... 'Bright aluminium'
Correct Finish is 'Anodised aluminium'

EKU Regal-A 25 tracks and rails

Item	Description	Base material and finish	2.5 m	3.5 m	
A	Top track, concealed type	pre-primed for screw mounting	Anodised aluminium	405.56.025	405.56.035
G	Bottom guide rail	pre-primed for screw mounting	Bright aluminium	405.30.025	405.30.035

EKU Regal-A 25 fitting sets

Item	Description	Base material and finish	For 1 door	
B	Track stopper, left hand	for top track, with retaining spring	Grey plastic	1 pc
C	Track stopper, right hand	for top track, with retaining spring	Grey plastic	1 pc
D	Running gear	plastic-tyred wheel with ball bearing	Yellow chromatised steel	2 pcs
E	Bottom guide	with slotted fixing holes for easy installation	Yellow chromatised steel	2 pcs
F	Guide buffer	to fit in bottom guide rail	Grey plastic	2 pcs
Cat. No.				405.55.011
H	Centre door stopper	optional use	Grey plastic	405.33.030*

Order 1 set per door (order 1 pc per door*)