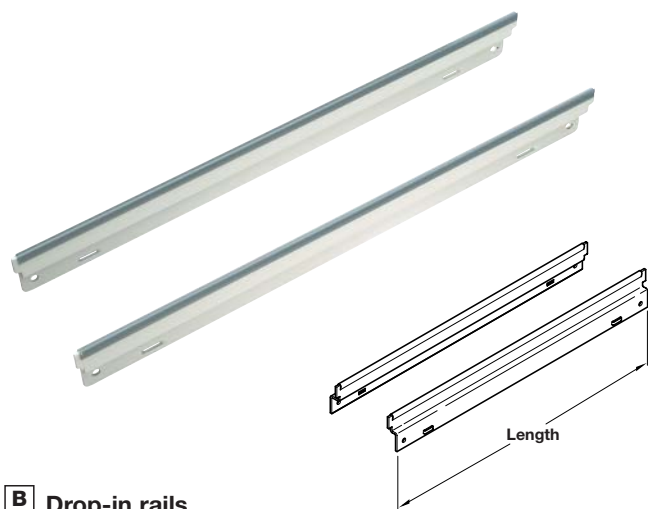


A Full extension ball-bearing cage runners

- Side mounting to Kombi frame 400 and 460 version
- Hook into the shelf suspension strip
- Carrying capacity **40 kg**
- Differential extension
- Bright galvanized steel

Strip/lug centres	250 mm	250 mm
Installation depth	400 mm	460 mm
Cat. No.	424.54.302	424.54.311

Order qty: 1 pair

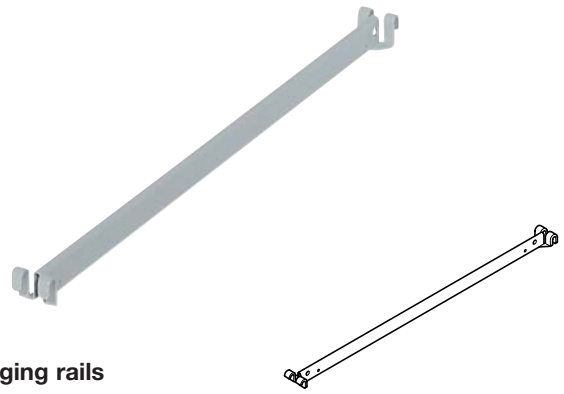


B Drop-in rails

- For use with runners to accept hanging files
- Fits into slots incorporated in the frame
- Plastic trims on epoxy coated steel

System	400	460
Length	335 mm	395 mm
Grey	424.41.538	424.36.528

Order qty: 1 pair

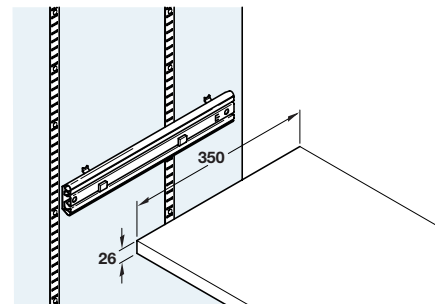


C Hanging rails

- For partitioning the filing frames
- Epoxy coated steel

System	400	460
Grey	425.12.520	425.12.540

Order qty: 1 pc



D System 400 pull-out shelves

- Box type profile construction
- Hangs on the lugs of the runners
- Use runner Cat. No. **424.54.302** for Systems 400 and 460
- Epoxy coated steel

Format	2 x FC	3 x FC
Installation width	882 mm	1294 mm
Grey	424.95.554	424.95.563

Order qty: 1 pc

E System 460 pull out shelves

- Box type profile construction
- Hangs on the lugs of the runners
- Use runner Cat. No. **424.54.302** for Systems 400 and 460
- Epoxy coated steel

Format	2 x A4	3 x A4
Installation width	767 mm	1122 mm
Grey	424.95.527	424.95.536

Order qty: 1 pc