

Length (mm)	Lid height (mm)	Distance A (mm)
250	up to 300	145
325	up to 465	185

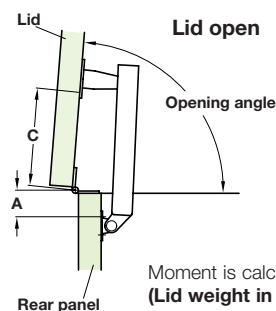
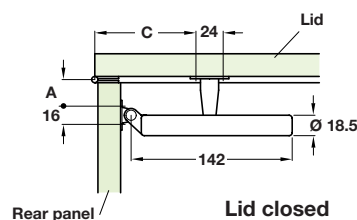
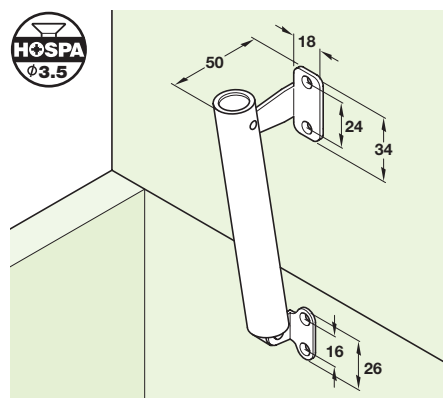
Determine distance C by trial mounting

A Fall-ex lid stay with brake

- Screw mounting to side panel with system Varianta 32 series drilled holes and screw mounting to lid
- Unhanded design
- Nickel-plated steel lid stay with nickel-plated brass square tubing

Length	Nickel-plated
250 mm	372.17.253
325 mm	372.17.262

Order qty: 1 pc



Moment is calculated as follows:
(Lid weight in Newtons) x (0.5 x lid depth) = Moment
 e.g. (2.5kg x 10 = 25N) x (0.5 x 40cms = 20) = 500Ncm

Lid weight* in kg (1kg-10N)	Lid size* (cm)	Moment (approx.) In Ncm
2.2 kg x 10 = 22N	36 x 0.5 = 18	22N x 18 = 400Ncm
2.5 kg x 10 = 25N	40 x 0.5 = 20	25N x 20 = 500Ncm
3.0 kg x 10 = 30N	40 x 0.5 = 20	30N x 20 = 600Ncm
3.5 kg x 10 = 35N	40 x 0.5 = 20	35N x 20 = 700Ncm
4.0 kg x 10 = 40N	40 x 0.5 = 20	40N x 20 = 800Ncm

Distance A	Distance C	Opening angle
13	97	85°
17	93	85°
21	89	85°
25	85	85°
27	85	80°

*Sample measurements to compare weight in relation to lid size.
 Exact mounting dimensions to be determined by test mounting

B Lid stay

- Screw mounted to side panel and lid
- Unhanded design
- Spring holds lid in position
- For heavier loads 2 lid stays should be used
- Note: Distance C should not be less than 85 mm
- Nickel-plated steel brackets with black, brown or white polypropylene housing
- Hinges to be used with the lid stay can be found on page 74

Housing colour	Cat. No.
Black	372.19.300
Brown	372.19.100
White	372.19.700

Order qty: 1 pc

TCH-FF 2010, HUK. Dimensional data not binding. We reserve the right to alter specifications without notice.