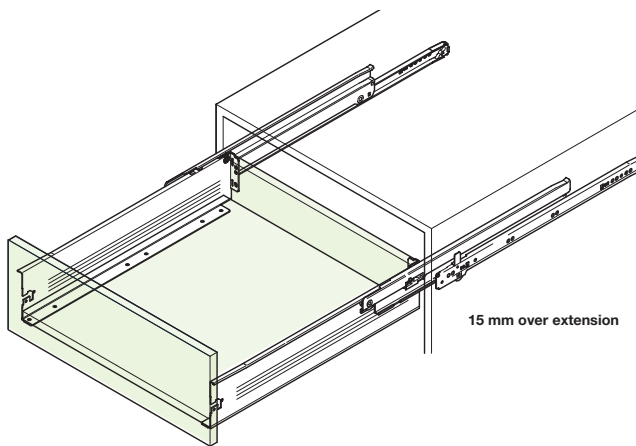
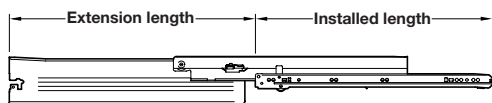
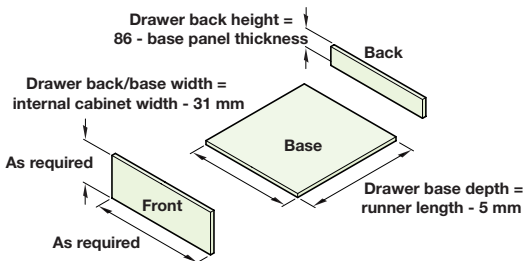
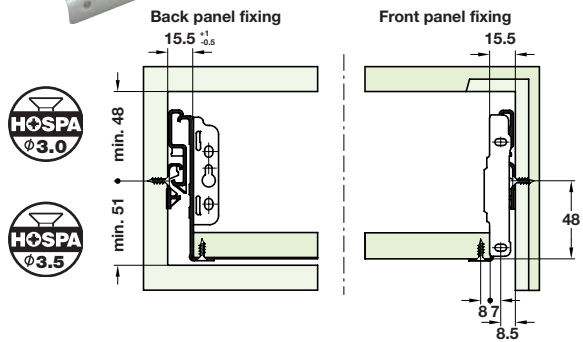
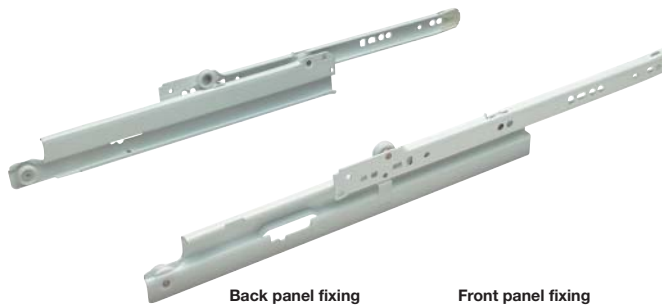


# Metal Drawer Sides Full Extension Runners for Grass Metal Drawer Sides

See **Section 1**, page **76 onwards**, for Drawer Inserts



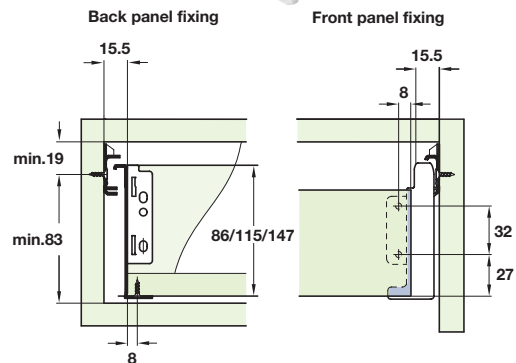
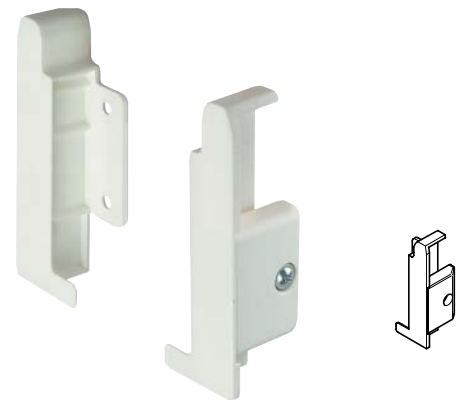
## A Full extension runners

- Drawer runners only, for use with **85, 117 or 149 mm** high metal drawer sides
- Standard carcass profile supplied with metal drawer sides needs to be replaced with full extension carcass profile
- White RAL 9010 epoxy coated steel

**Full  
Extension**

Installed length	Extension length	Cat. No.
350 mm	365 mm	555.62.735
400 mm	415 mm	555.62.740
450 mm	465 mm	555.62.745
500 mm	515 mm	555.62.750
550 mm	565 mm	555.62.755

Order qty: 1 pair



## B Internal drawer front fixing components

- For use with metal drawer sides
- For 16 mm drawer fronts
- Screw fixing, fixings included
- White RAL 9010 plastic

For drawer side height	Cat. No
85 mm	555.62.910
117 mm	555.62.911
149 mm	555.62.912

Order qty: 1 pair



## C Stand off bracket

- For use with runners to prevent an internal drawer snagging on the door hinges when withdrawn
- Pearl-white plastic

Colour	Cat. No.
White	558.48.809

Order qty: 1 pc



## D Spacer plate

- For use with runners and stand off bracket to give a perfect fit whatever board thickness is used

- **6 mm thick**
- White plastic

**Text added**

Colour	Cat. No.
White	558.12.890

Order qty: 1 pc

TCH-FF 2010, HUK. Dimensional data not binding. We reserve the right to alter specifications without notice.