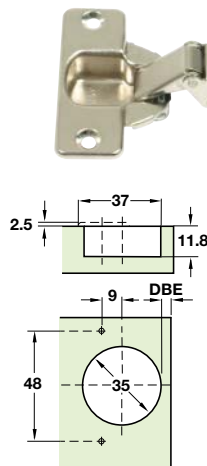


Concealed Hinges

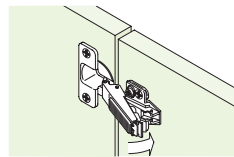
Grass Standard 125° Hinges

- Opening angle **125°**
- 0 mm or 8 mm crank
- Sprung
- Ø 35 mm cup
- Screw fixing cup
- Click on arms
- Cup: Nickel-plated pressed steel
Arm: Nickel-plated pressed steel
- **Mounting plates** for click on hinges are shown on pages **23-24**
- **Hinge arm cover plates** are shown on page **25**
- Soft close compatible on sprung hinges
- ***Important note:** The offset of the door is reduced by 4.5 mm when door is opened 90° only

Screw fixing



Soft close clip on fitting for sprung hinges shown on page 25



125°

Click on

Crank	Screw fixing
0	322.19.530
8	322.19.531

Order qty: Multiples of 10 pcs

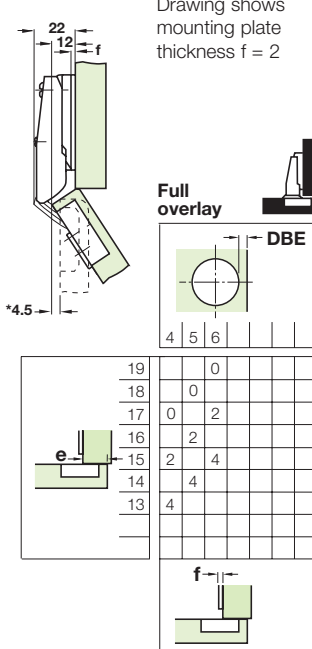
Mounting screws

- Hospa chipboard screws, raised head, Ø 3.5 mm with cross slots
- Nickel-plated steel

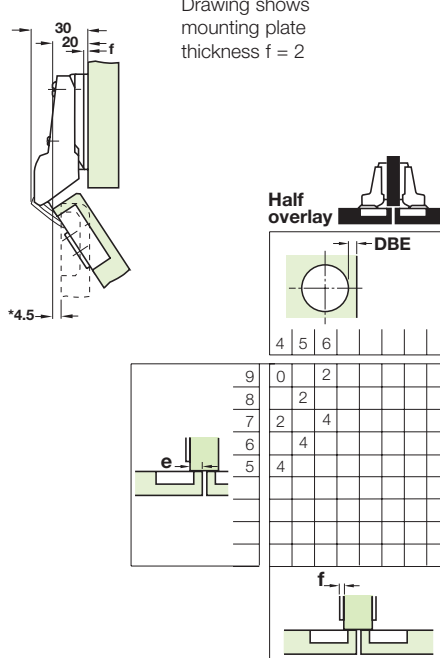


Length	Cat. No.	Order qty
15 mm	015.55.639	1000
17 mm	015.55.648	1000
20 mm	015.55.657	1000

0 Crank



8 Crank



Door thickness b

