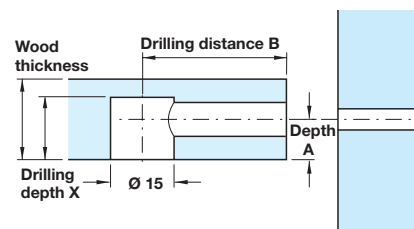


- Connecting bolts for installation through $\varnothing 7$ mm and $\varnothing 8$ mm holes, without tools
- For single or double-sided constructions

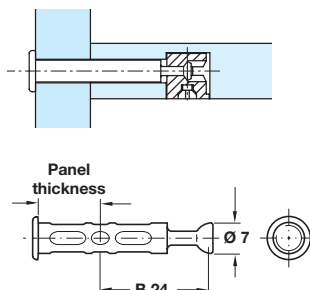


A Capped bolt

- For single-sided installation through $\varnothing 7$ mm hole
- Plastic

Drilling distance B	24 mm
For panel thickness 16 mm	
Bronze coloured	262.27.716

Order qty: Multiples of 100 pcs

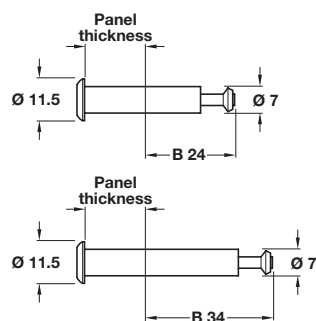


B Capped bolt

- For single-sided installation through $\varnothing 8$ mm hole
- **Note:** Not suitable for use with Minifix polycarbonate housings
- Steel

Drilling distance B	24 mm	34 mm
For panel thickness 16 mm		
Nickel-plated	262.27.755	262.28.755
For panel thickness 19 mm		
Nickel-plated	262.27.765	262.28.765
Bronzed	-	262.28.165

Order qty: Multiples of 100 pcs

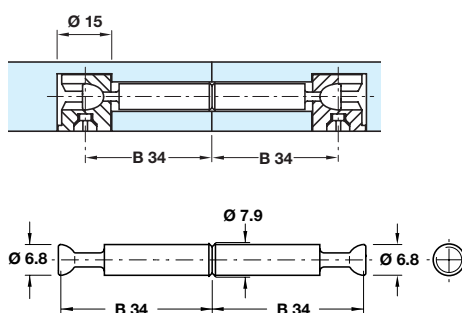


C Double-ended bolt

- With centre ridge for edge-to-edge joints using $\varnothing 7$ mm holes
- Steel

Drilling distance B	34 mm
Bright	262.28.286
Galvanized	262.28.786

Order qty: Multiples of 100 pcs

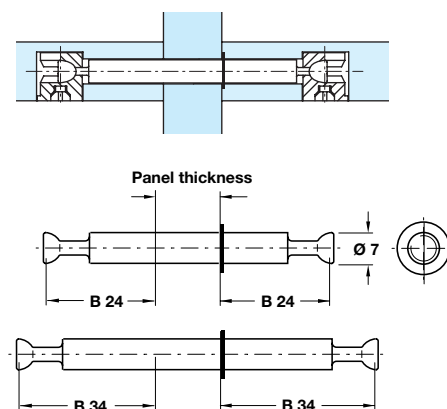


D Double-ended bolt

- With snap ring for double-sided installation through $\varnothing 8$ mm holes
- Steel

Drilling distance B	24 mm	34 mm
For panel thickness 16 mm		
Bright	262.27.109	262.28.106
Galvanized	262.27.805	262.28.802
For panel thickness 19 mm		
Bright	262.27.118	262.28.115
Galvanized	262.27.814	262.28.811

Order qty: Multiples of 100 pcs



TCH-FF 2010, HUK. Dimensional data not binding. We reserve the right to alter specifications without notice.