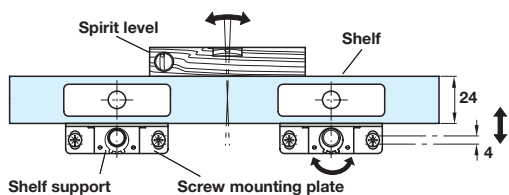


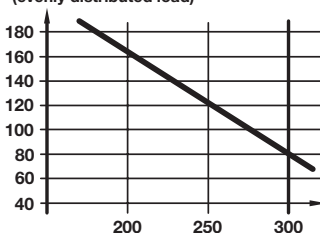
Shelf Supports

Concealed Shelf Supports

Height and inclination adjustment possible as shown on the right



Max. load kg/m² (evenly distributed load)

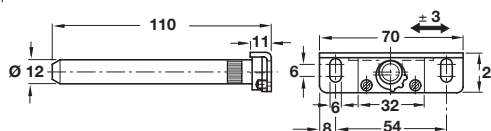
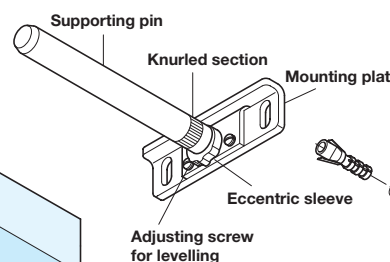
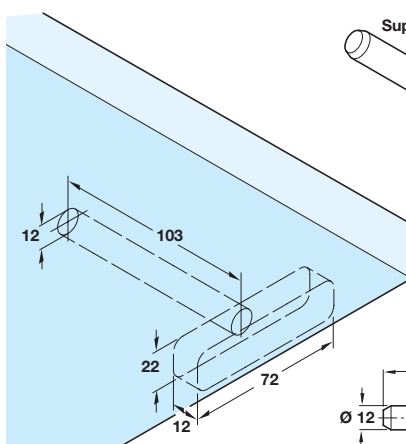


A Shelf support

- For concealed mounting of shelves
- For installation into woodwork or masonry walls
- **With screw mounting plate**
- For 24 mm shelf thickness
- Fitting comprises: 1 galvanized steel supporting pin with mounting plate, 1 pre-mounted plastic sleeve and 2 adjusting screws for inclination adjustment
- Supporting pin with knurled section is installed in a $\varnothing 12$ mm hole in the shelf, the pin may be exposed or concealed depending on the thickness of the shelf
- **Height** adjustable via slots
- **Inclination** adjustment using adjusting screws which press on the rear plate when turned in
- **Lateral** adjustment by lifting the supporting pin; can be adjusted to the right or left

Max. 700 mm distance between shelf supports

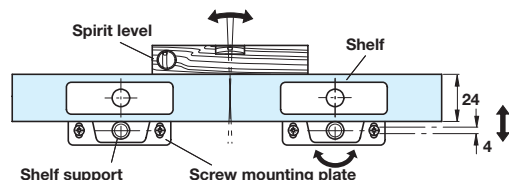
Max. 300 mm shelf depth



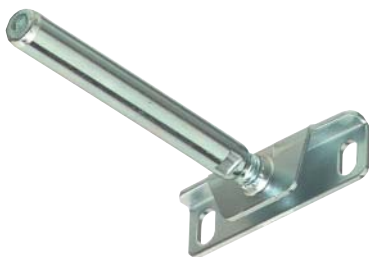
	Cat. No.
Shelf support	283.33.904

Order qty: Multiples of 4 pcs

Height and inclination adjustment possible as shown on the right



Max. load kg/m² (evenly distributed load)

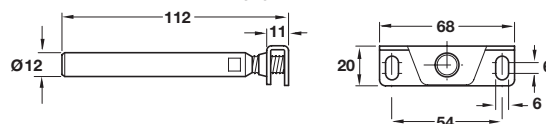
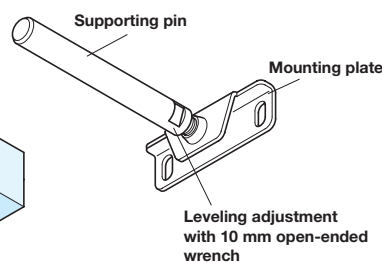
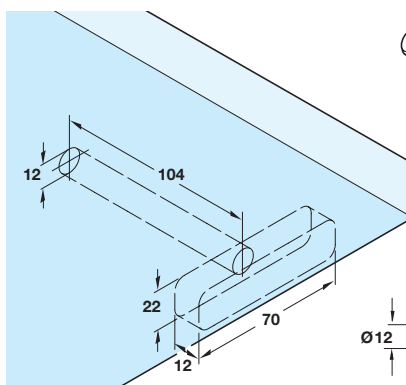


B Shelf support

- For concealed mounting of shelves
- For installation into woodwork or masonry walls
- **With screw mounting plate**
- For 24 mm shelf thickness
- Fitting comprises: 1 galvanized steel supporting pin with mounting plate
- Supporting pin is installed in a $\varnothing 12$ mm hole in the shelf, the pin may be exposed or concealed depending on the thickness of the shelf
- **Height** adjustable via slots
- **Inclination** adjustment using supporting pin which presses on the rear plate when turned in

Max. 700 mm distance between shelf supports

Max. 300 mm shelf depth



	Cat. No.
Shelf support	283.33.910

Order qty: Multiples of 4 pcs