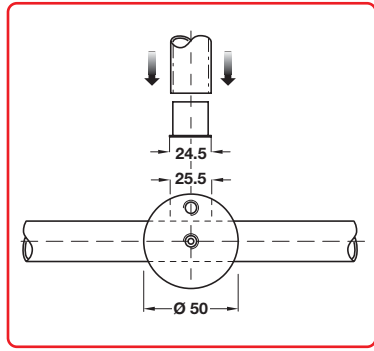


E Tee piece

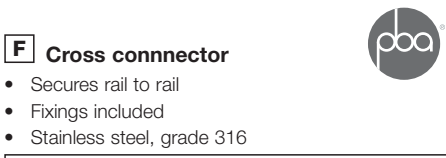
- Joining front headrail to division headrail
- Secures rails at 90°
- Fixings included
- Stainless steel, grade 316

Finish	Cat. No.
Satin stainless steel	980.34.130

Order qty: 1 pc



Item A.
Illustration amended

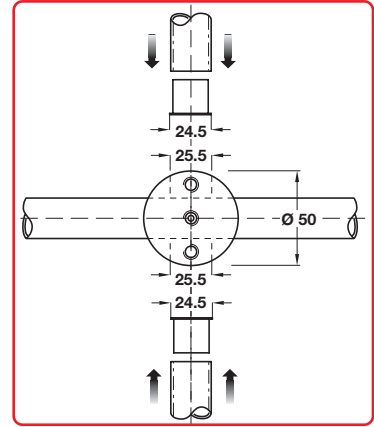


F Cross connector

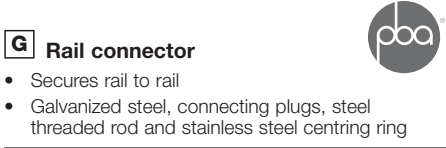
- Secures rail to rail
- Fixings included
- Stainless steel, grade 316

Finish	Cat. No.
Satin stainless steel	980.34.140

Order qty: 1 pc



Item B.
Illustration amended

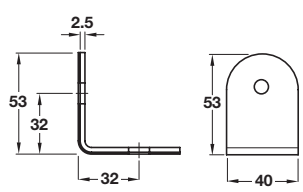
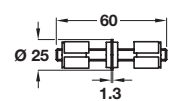


G Rail connector

- Secures rail to rail
- Galvanized steel, connecting plugs, steel threaded rod and stainless steel centring ring

Cat. No.	980.34.160
----------	------------

Order qty: 1 pc

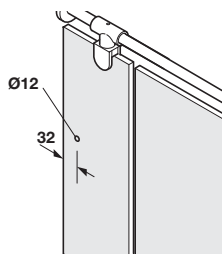


H Angle bracket

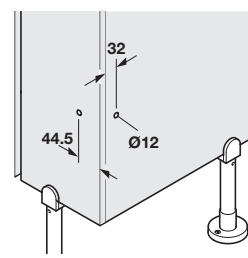
- Secures division to facia at 90°
- Glass must be pre-drilled
- Fixings must be ordered separately - see table below
- Stainless steel, grade 316

Finish	Cat. No.
Satin stainless steel	980.34.020

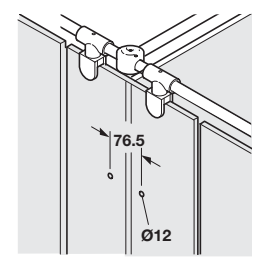
Order qty: 1 pc



Glass to wall



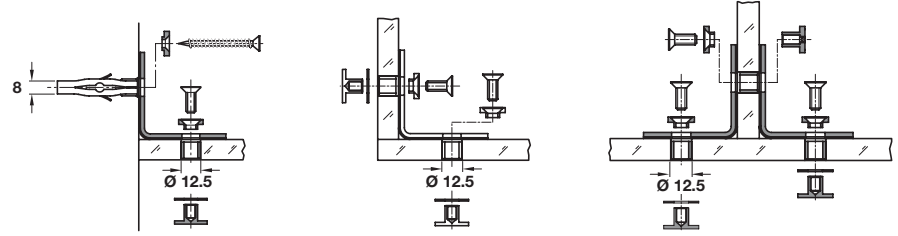
L junction glass to glass



T junction glass to glass

Fixing materials	
Type	Cat. No.
Glass - Wall	980.34.030
L junction glass - glass	980.34.031
T junction glass - glass	980.34.032

Order qty: 1 pc



21.11.08/1*