

A Half circle carousel set

- Three sizes of shelf and two spindle heights available
- Shelves swivel independently
- The upper end of the spindle can be cut if required to fit cabinets with less height

A Half circle carousel shelf. Carousel for 390 mm minimum door width has two mounting options. Cream-white plastic.

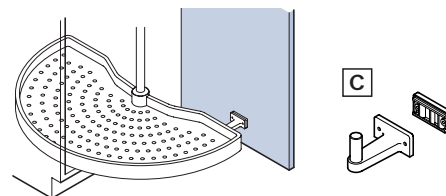
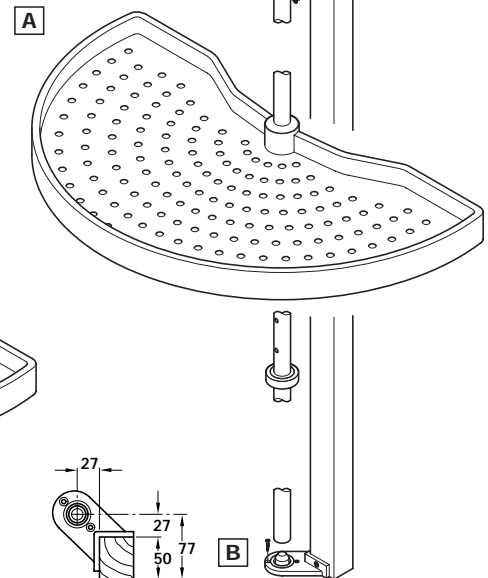
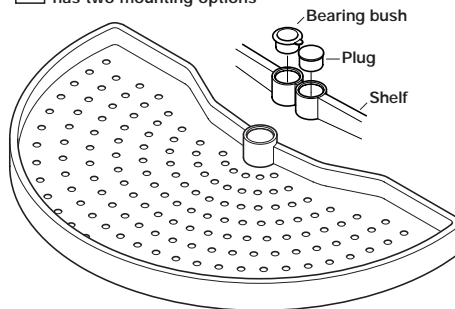
B Fitting set comprising 500 or 552 mm high spindle, top and bottom fittings and shelf bearings. Silver anodised light alloy spindle. Cream-white plastic fittings.

C Shelf follower, for mounting on the cabinet door, automatically pulls out the shelf when the door is opened. Cream-white plastic.

Item	No. of items included:
A Carousel shelf	2 pcs
B Fitting set	1 set
C Shelf follower	1 pc
Finish	Cream-white
Spindle height: 500 mm	
For minimum door width	Cat. No.
390 mm	541.54.513
440 mm	541.54.522
490 mm	541.54.531
Spindle height: 552 mm	
For minimum door width	Cat. No.
390 mm	541.54.540
440 mm	541.54.559
490 mm	541.54.568

Order qty: 1 set

A Carousel shelf for 390 mm min. door width has two mounting options



We reserve the right to alter specifications without notice.

Dimensions in mm