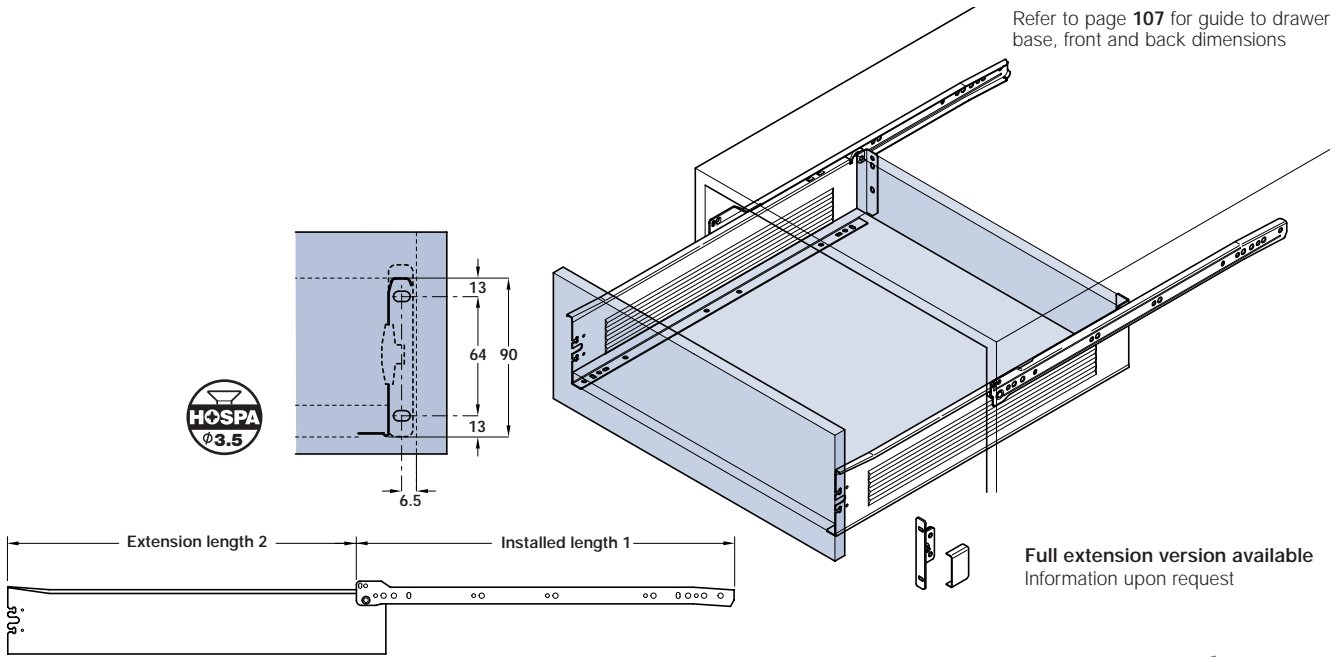


Refer to page 107 for guide to drawer base, front and back dimensions



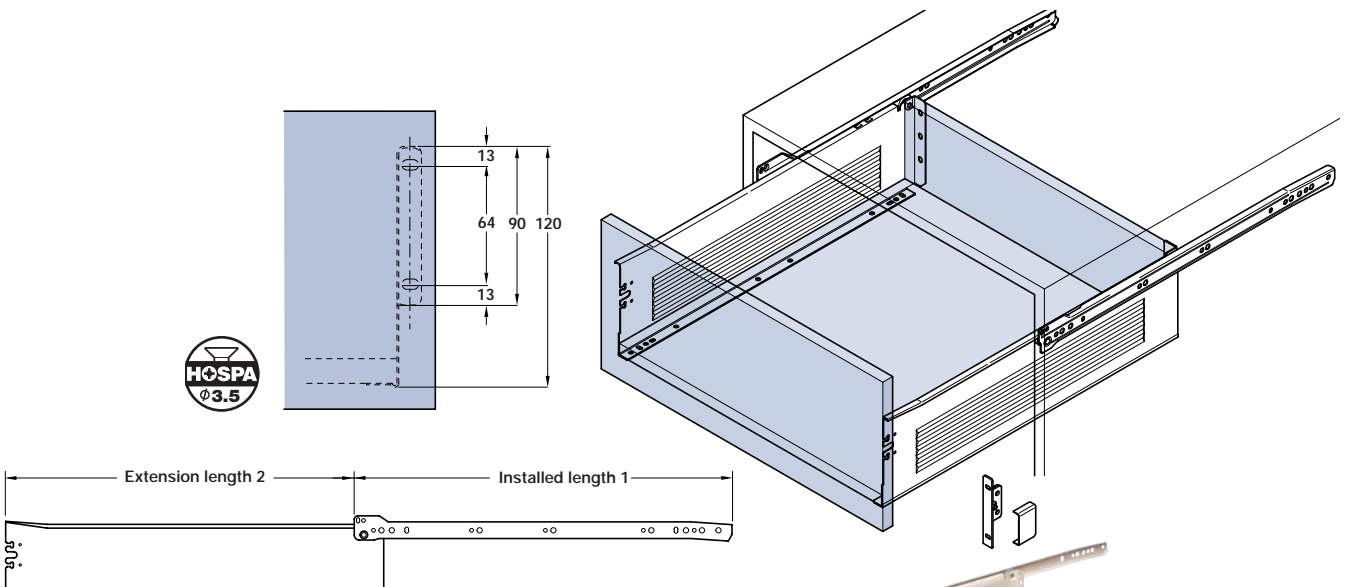
Full extension version available
Information upon request

A Metal drawer sides, 85 mm high

- Complete with self closing runners with nylon rollers, front fixing brackets and cover caps
- Steel with plastic cover caps

Installed length 1	Extension length 2	Cream-white	Silver
275 mm	200 mm	555.57.427	555.57.927
350 mm	275 mm	555.57.435	-
400 mm	325 mm	555.57.440	555.57.940
450 mm	375 mm	555.57.445	555.57.945
500 mm	425 mm	555.57.450	-
550 mm	475 mm	555.57.455	-

Order qty: 1 pair



B Metal drawer sides, 120 mm

- Complete with self closing runners with nylon rollers, front fixing brackets and cover caps
- Maximum carrying capacity 25 kg
- Steel with plastic cover caps

Installed length 1	Extension length 2	Cream-white	Silver
450 mm	375 mm	555.49.745	555.49.946
500 mm	425 mm	555.49.750	555.49.250

Order qty: 1 pair

