

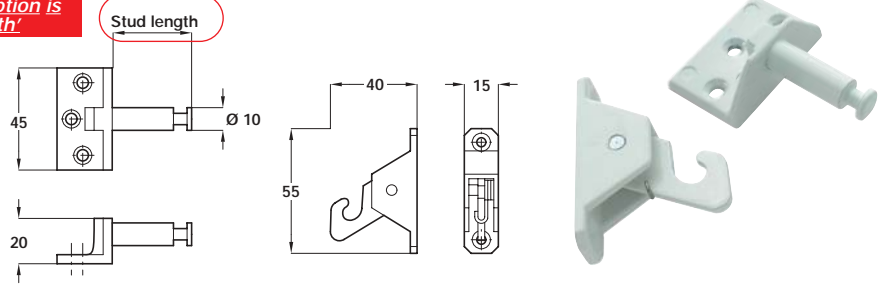
### A Face fix reverse stop

- Suitable for pivot windows
- To suit timber, aluminium and PVCu
- Available in two stud lengths
- Restricts sash to 100 mm
- Conforms to BS6375 Part 2: 1987
- Stainless steel and zinc alloy

Finish	Stud length	Cat. No.
White	27 mm	973.00.147
White	36 mm	973.00.157

Packing: 1 pc

**Item A.**  
Catalogue shows...  
'65 mm'  
Correct description is  
'Stud length'



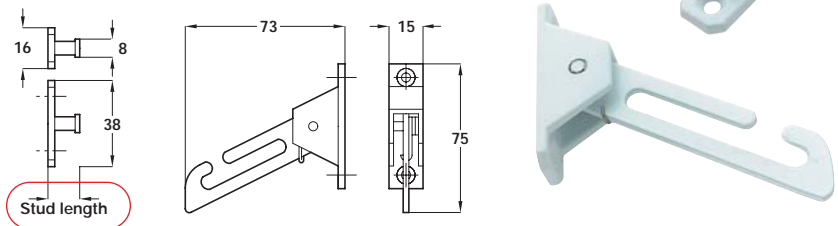
### B Face fix restrictor

- Suitable for casement windows
- Suitable for side and top hung windows
- To suit timber, aluminium and PVCu
- Restricts sash to 100 mm
- Conforms to BS6375 Part 2: 1987
- Stainless steel and zinc alloy

Finish	Stud length	Cat. No.
White	14.5 mm	973.00.167
White	12.5 mm	973.00.177
White	13.5 mm	973.00.187

Packing: 1 pc

**Item B.**  
Catalogue shows...  
'15 mm'  
Correct description is  
'Stud length'



**Item B.**  
Catalogue shows 27 mm  
and 36 mm  
Correct dimensions are  
12.5 mm  
and 13.5 mm

7

Window Fittings



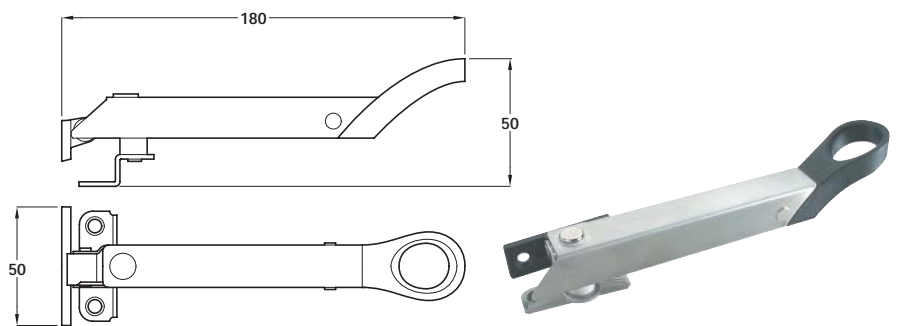
Variable position

### C Axaflex window restrictor stay

- Suitable for fanlights and small pivot windows
- Positive open position
- Over centre action aids closure
- Available in two versions
- Total sash movement 160 mm
- Suitable for flat sill sections only
- Stainless steel and plastic

Finish	Cat. No.
Fixed stainless steel	973.00.190
Adjustable stainless steel	973.00.200

Packing: 1 pc



We reserve the right to alter specifications without notice.

Dimensions in mm