

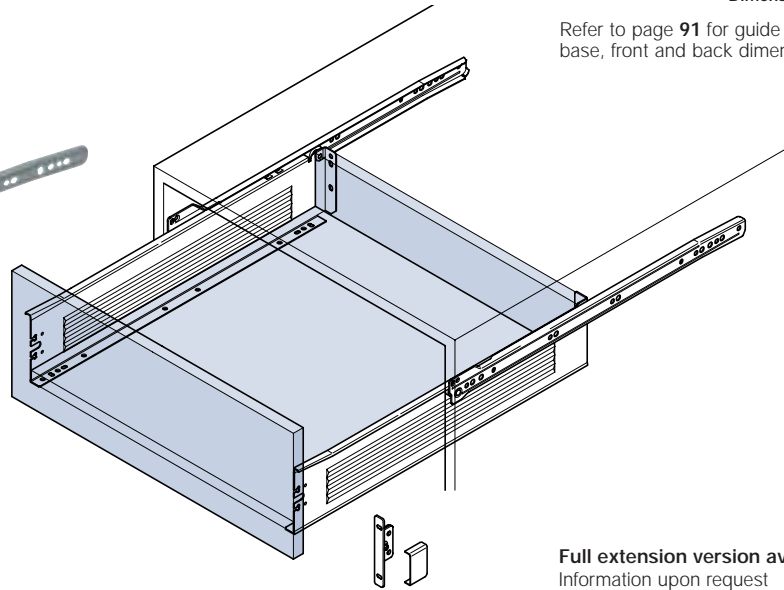
Economiser Metal Drawer Sides, 85 and 120 mm High

HÄFELE

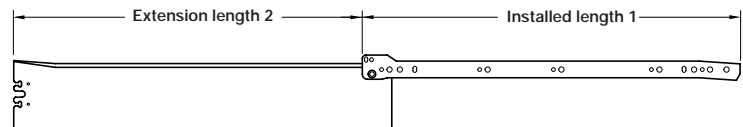
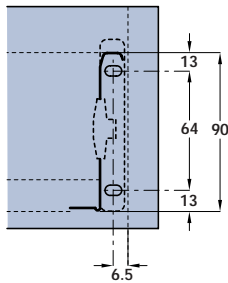
Order Online at www.hafele.co.uk

Dimensions in mm

Refer to page 91 for guide to drawer base, front and back dimensions



Full extension version available
Information upon request



A Metal drawer sides, 85 mm high

Installed length 1	Extension length 2	Black
450 mm	375 mm	555.57.345
500 mm	425 mm	555.57.350
550 mm	475 mm	555.57.355

Packing: 1 pair

- **A** Metal drawer sides, 85 mm high
- Complete with self closing runners with nylon rollers, front fixing brackets and cover caps
- Steel with plastic cover caps