

Legs for Worktops, Tables and Desks

Dimensions in mm

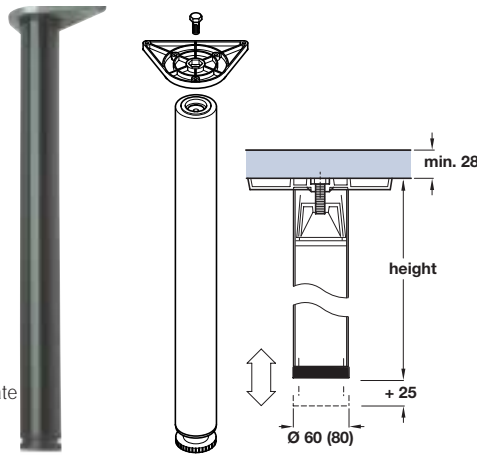


All legs have a black plastic height adjustable foot giving + 25 mm adjustment

A flanged foot is also available as an alternative, see item E

Discontinued ●
Discontinued when stock = 0 +

- **A** Legs, 690 mm high, Ø 60 mm
- For supporting worktops, table tops or desks
- Dark grey zinc alloy screw fixing mounting plate and fixings included
- Tubular steel leg

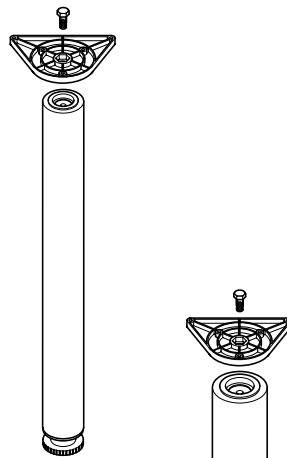


A Legs, 690 mm high, Ø 60 mm

Finish	Cat. No.
Unfinished, unassembled	635.06.069

Packing: 1 and 4 pcs

- **B** Legs, 710 mm high, Ø 60 mm
- For supporting worktops, table tops or desks
- Dark grey zinc alloy screw fixing mounting plate and fixings included
- Tubular steel leg

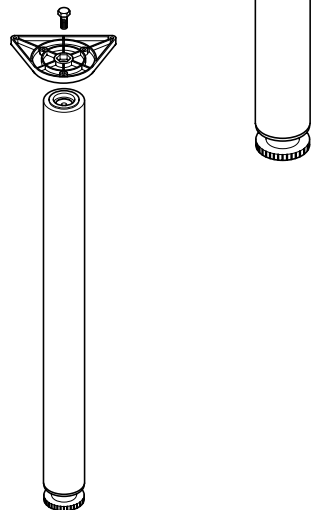


B Legs, 710 mm high, Ø 60 mm

Finish	Cat. No.
Polished brass	● 635.06.874

Packing: 4 pcs (12 pcs*)

- **C** Legs, 710 mm high, Ø 80 mm
- For supporting worktops, table tops or desks
- Dark grey zinc alloy screw fixing mounting plate and fixings included
- Tubular steel leg



C Legs, 710 mm high, Ø 80 mm

Finish	Cat. No.
Grey	● 635.07.577

Packing: 4 pcs

- **D** Legs, 870 mm high, Ø 60 mm
- For supporting worktops or breakfast bar
- Dark grey zinc alloy screw fixing mounting plate and fixings included
- Tubular steel leg

D Legs, 870 mm high, Ø 60 mm

Finish	Cat. No.
Polished brass	● 635.06.880
Oak veneer, unfinished	635.06.481

Packing: 4 pcs

Re-instated

Item D.
Catalogue shows... 'Oak veneer'
Correct Finish is 'Oak veneer, unfinished'