

Base Unit Liners and Drawer Insert Mats

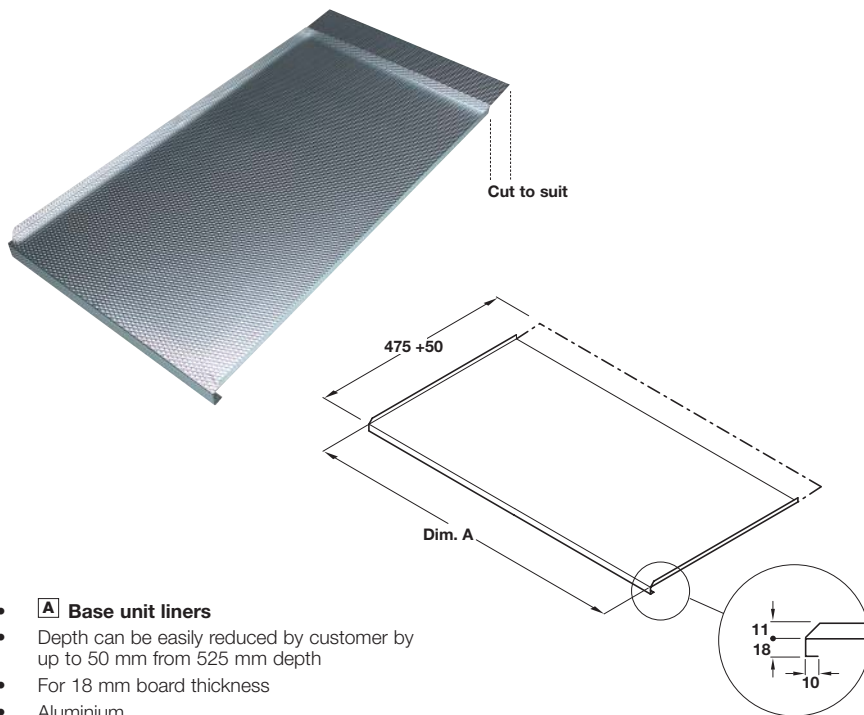
HÄFELE

Order Online at www.hafele.co.uk

Dimensions in mm

Discontinued ●

Discontinued when stock = 0 +



A Base unit liners

- Depth can be easily reduced by customer by up to 50 mm from 525 mm depth
- For 18 mm board thickness
- Aluminium

A Base unit liners

| For cabinet width | Dim. A | Cat. No |
|-------------------|---------|-------------------------|
| 300 mm | 263 mm | ● 565.54.330 |
| 400 mm | 363 mm | ● 565.54.340 |
| 450 mm | 513 mm | 565.54.345 |
| 500 mm | 463 mm | 565.54.350 |
| 800 mm | 763 mm | 565.54.380 |
| 900 mm | 863 mm | 565.54.390 |
| 1200 mm | 1163 mm | 565.54.312 |

Packing: 1 pc

8

Kitchen Accessories