

# Q-LON POLYURETHANE FOAM SEALS: WINDOWS

**QL 3037**  
**2Q091**

## TECHNICAL SPECIFICATION

**A** Seal gap: 3,5 mm minimum to 5,6 mm maximum

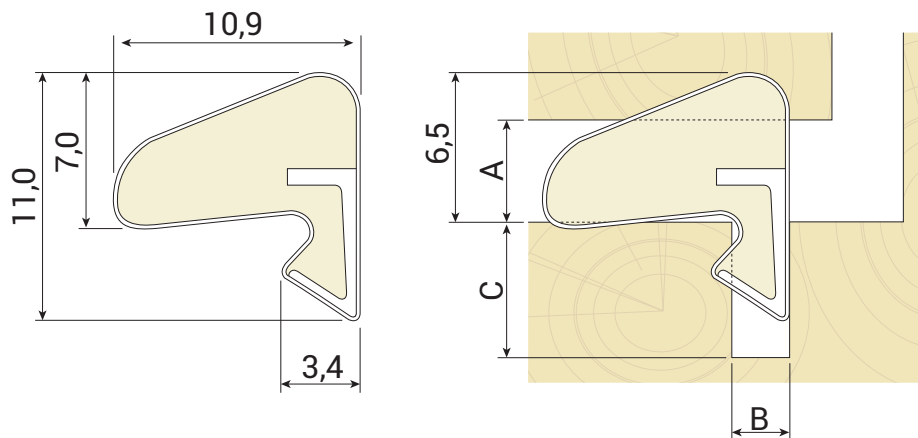
**B** Groove width: 2,7 – 3,0 mm nominal

**C** Minimum groove depth: 6,0 mm

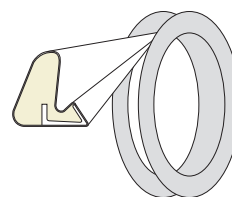
Rebate dimension: 10,0 mm

## PACKAGING

200 m x 2



Coil direction



Colours (≈ RAL)			
7001	8019	9003	9005
Silver Grey	Brown	White	Black

*Other colours upon request*

03/2023 - V00

