

TECHNICAL SPECIFICATION

A Seal gap: 3,5 mm minimum to 5,5 mm maximum

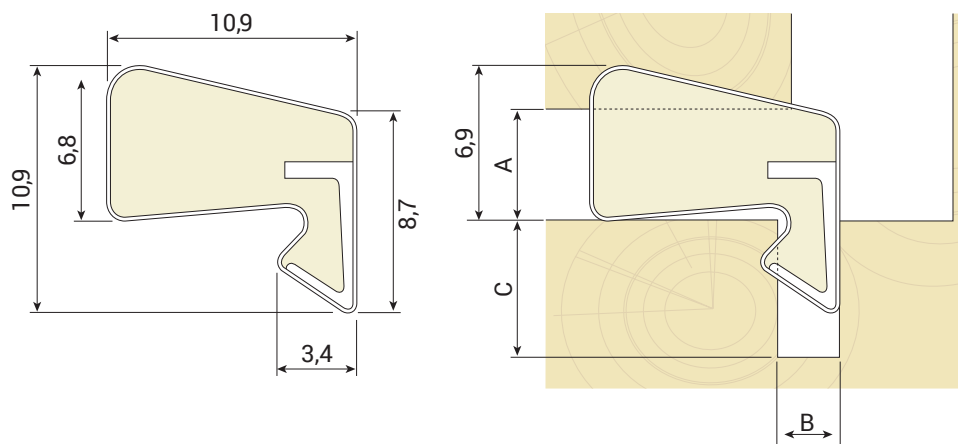
B Groove width: 2,7 – 3,0 mm nominal

C Minimum groove depth: 6,0 mm

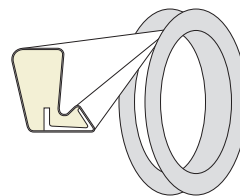
Rebate dimension: 10,0 mm

PACKAGING

250 m x 2



Coil direction



Colours (≈ RAL)			
7001	8019	9003	9005
Silver Grey	Brown	White	Black

Other colours upon request