

F24-908 R/END SKG MV-11 FX4 SILVER

5033198

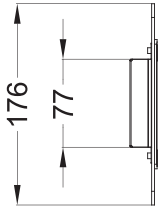


Product details	
Product base class ⓘ	Frame parts ⓘ
Product function group	Single keep
Product group	Auxiliary locking system keep
Product	Hook
Specification	
Frame profile	F24-908
Type of faceplate frame part	Flat faceplate
Faceplate width frame part	24 mm
Faceplate end frame part	Rounded
Radius	Radius 12 mm
Version/Length	Short
Contact pressure frame part	Standard
Bolt type frame part	1 x Hook
Adjustment auxiliary locking point	Outside adjustment
DIN Direction	DIN left hand + right-hand
Surface	Matchchrome-plated MC
Pocket	With pocket
End cap	Without end cap
Type of fixing	Standard hardware screw
Certification	
Certification SKG	SKG **

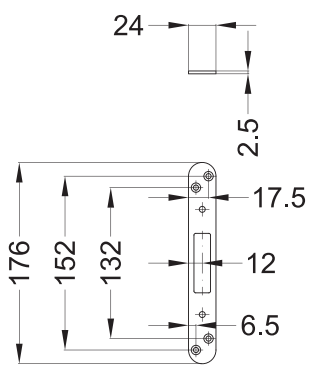
F24-908 R/END SKG MV-11 FX4 SILVER 5033198

F24-908 R/END SKG MV-11 FX4 SILVER 5033198

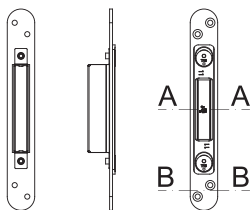
General dimensioning



Screw position



Views

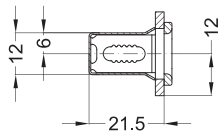
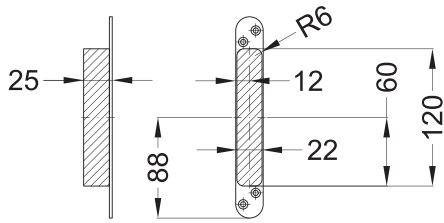


F24-908 R/END SKG MV-11 FX4 SILVER 5033198



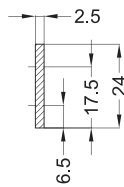
Ø 12

Milling dimensions



A - A

Installation position



B - B